

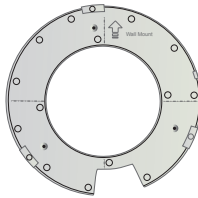




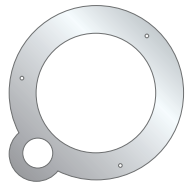
## Package Contents



UniFi Enterprise AP



Wall-Mount Bracket



Ceiling-Mount Plate



UniFi Controller  
CD with User Guide



Quick Start Guide



24v PoE  
Adapter



Power Cord



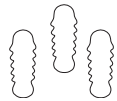
M3X30 Flat Head  
Screw (Qty. 3)



M3 Nut with Tooth  
Washer (Qty. 3)



M2.9x20 Self Tapping  
Screw (Qty. 3)



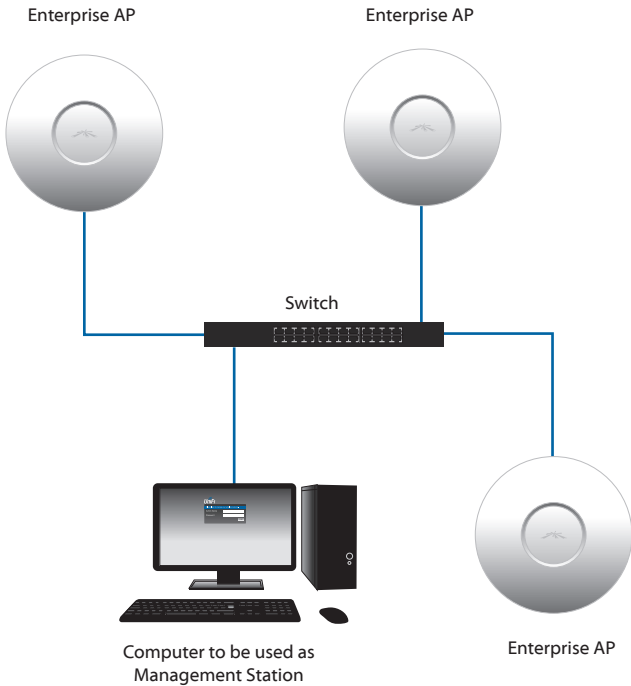
M3x20 Screw  
Anchor (Qty. 3)

## System Requirements

- Microsoft Windows XP, Windows Vista, Windows 7, or Mac OS X
- Java Runtime Environment 1.6 (or above)
- Web Browser: Mozilla Firefox, Google Chrome, or Microsoft Internet Explorer 8 (or above)

## Network Topology Requirements

- A DHCP-enabled network (for AP to obtain an IP as well as for the wireless clients after the deployment)
- Access point(s) and the management station computer connected to the same layer-2 network.

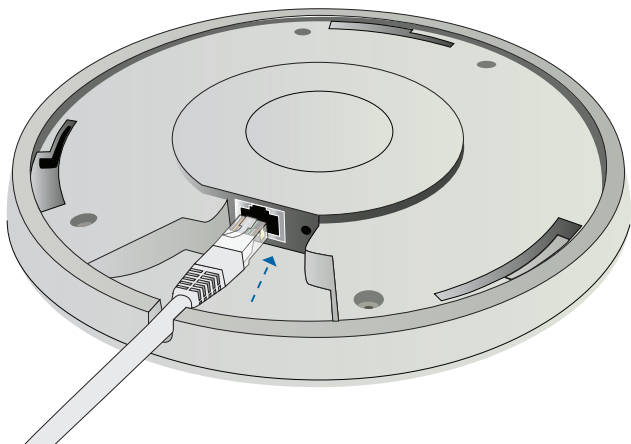


*Sample Network Diagram*

## Hardware Installation

The UniFi Enterprise AP is powered by the included PoE (Power over Ethernet) adapter. To install the AP, perform the following steps:

1. Connect an Ethernet cable to the Ethernet port on the UniFi Enterprise AP.



2. Connect the power cord to the power port on the PoE Adapter. Connect the other end of the power cord to a power outlet.



3. Connect the other end of the Ethernet cable to the Ethernet port labeled **POE** on the PoE Adapter.



**Note:** If you plan to mount the AP on your ceiling, perform the ceiling mount installation steps before connecting the Ethernet cable to the PoE Adapter.



Below is an overview of the Power over Ethernet connections.



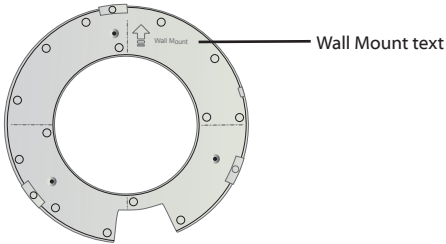
*Power Connection Diagram*

## Mounting the Access Point

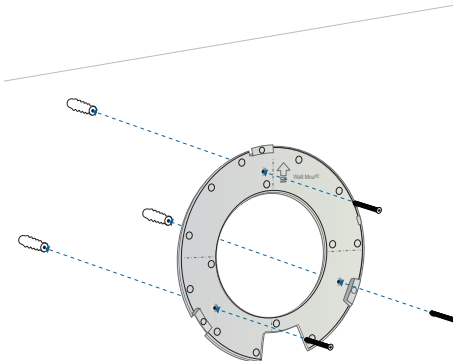
The UniFi Enterprise AP can be wall-mounted or mounted on a ceiling. Perform the following steps for the appropriate installation:

### Wall-Mount

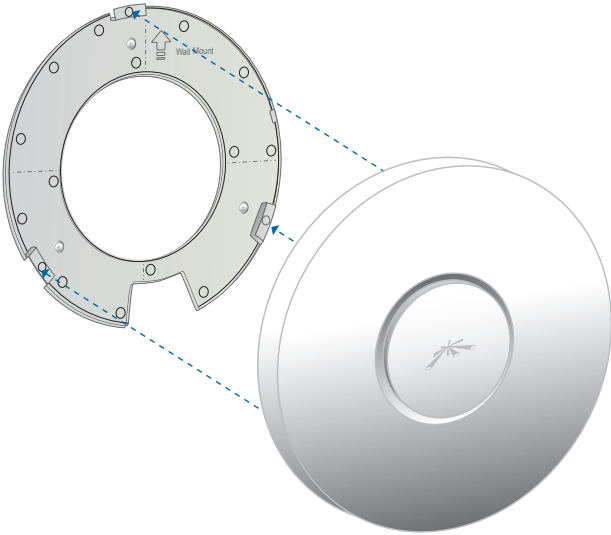
1. Align the wall-mounting bracket with the *Wall Mount* text facing up. There are horizontal and vertical lines on the bracket to help with orientation.



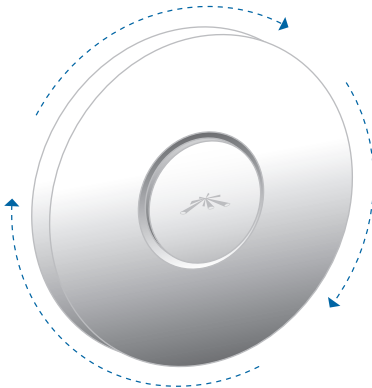
2. Use a pencil to mark the holes on the wall.
3. Use a 6 mm drill bit to drill the holes in the wall.
4. Insert the 3 screw anchors into the wall.
5. Secure the wall-mount bracket to the wall by inserting the self tapping screws into the anchors.



6. Align the notches on the AP with the notches on the wall-mount bracket.



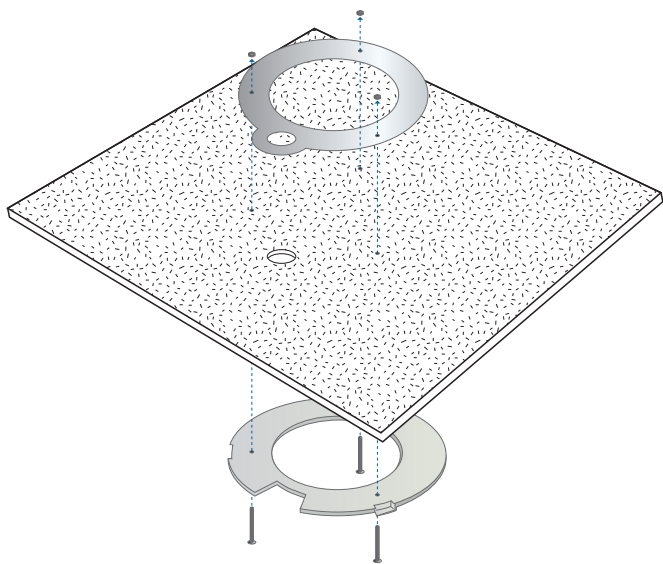
7. Turn the AP clockwise until it locks into place.



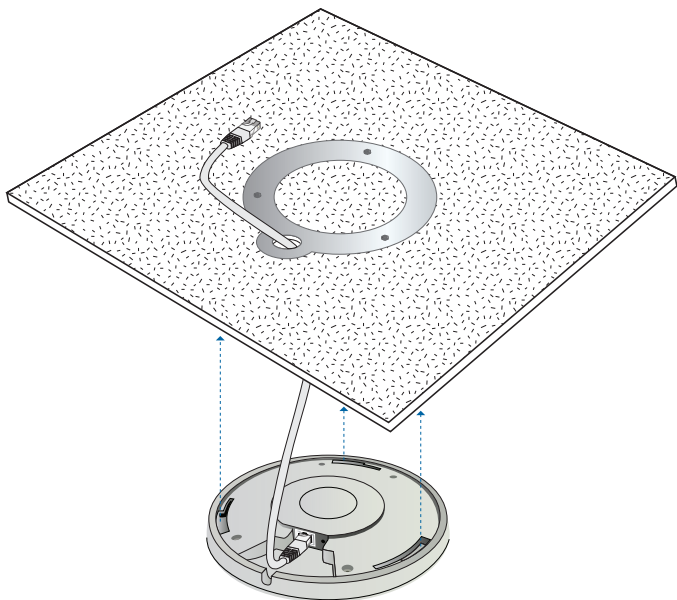


## Ceiling-Mount

1. Remove the ceiling tile.
2. Align the ceiling-mount plate to the center of the top side of the ceiling tile.
3. Use a 3.5 mm drill bit to drill holes for the three flat head screws.
4. Cut or drill a circle approximately 25 mm in size that lines up with the larger circle on the ceiling-mount plate. This will be used for the Ethernet cabling.
5. Secure the wall-mount bracket and ceiling-mount plate to the ceiling tile using the 3 flathead screws and 3 nuts with tooth washers.



6. Feed the Ethernet cable through the hole and then align the Enterprise AP with the notches on the wall-mount bracket.



**Note:** The UniFi Enterprise AP supports Passive PoE which works with the included PoE adapter. If you want to power the UniFi AP from an 802.3af compliant switch, Ubiquiti Networks offers the optional Instant 802.3af Adapter to instantly transform any PoE device into a fully 48V 802.3af compliant product. Product details are available on our website at <http://ubnt.com/8023af>

7. Turn the AP clockwise until it locks into place.

## Software Installation

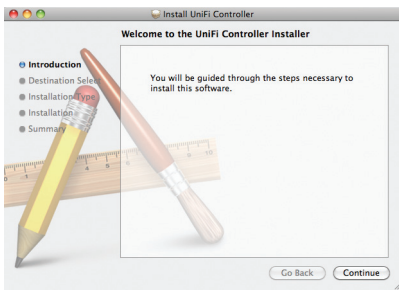
Insert the UniFi Controller software CD into your CD-ROM drive and follow the instructions for your specific computer type.

### Mac Users

1. Click on the **Install** icon.



2. Click **Continue** and follow the on-screen instructions to install the software.



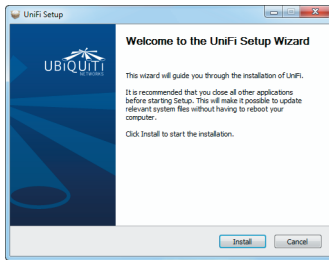
3. Go to **Go > Applications** and double-click the *UniFi* icon.



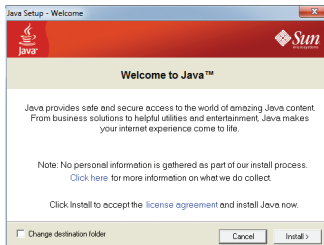
Proceed to *Configuring the UniFi Controller Software* on page 12.

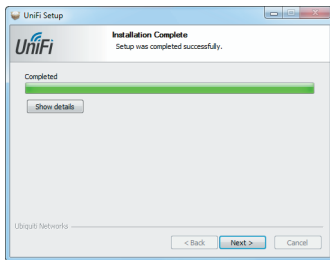
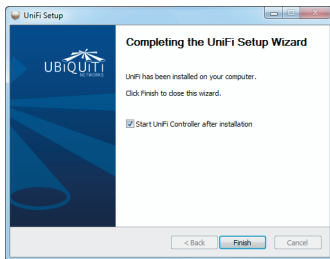
## PC Users

1. Launch **UniFi-installer.exe**.
2. Click **Install**.

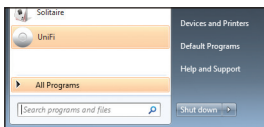


3. If your computer doesn't have Java 1.6 or above installed, you will be prompted to install it. Click **Install** to continue.



4. Click **Next**.5. Be sure the *Start UniFi Controller after installation* option is checked and click **Finish**.

**Note:** The UniFi Controller software can also be launched from **Start > All Programs**.

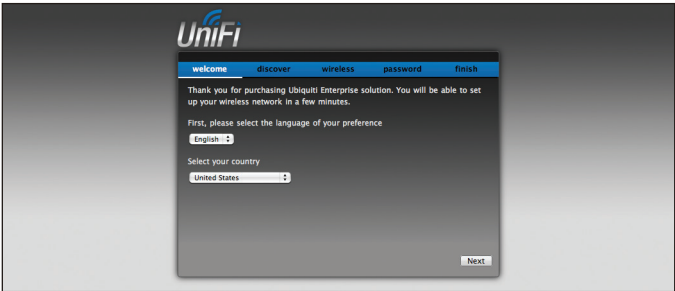


## Configuring the UniFi Controller Software

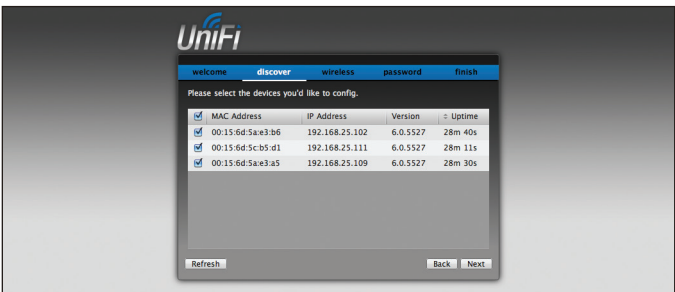
1. The UniFi Controller software startup will begin. When the option becomes available, click **Launch a Browser to Manage Wireless Network**.



2. Select your language and country. Click **Next**.



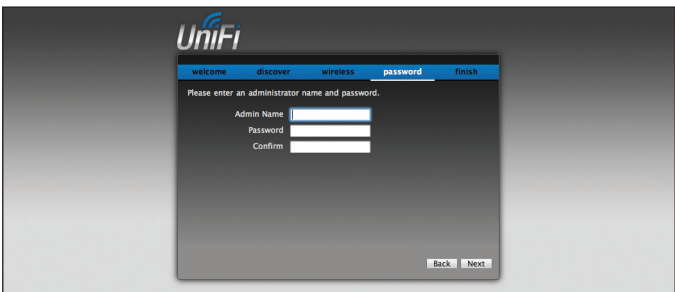
3. Select the devices that you want to configure and click **Next**.



4. The UniFi Installation Wizard will create a secure primary wireless network for your devices. Perform the following steps:
  - a. Enter the wireless network name (SSID) in the *Secure SSID* field.
  - b. Enter a passphrase to be used for your primary network.
  - c. If you want to enable guest access, select **Enable Guest Access** and enter a guest network name in the *Guest SSID* field.
  - d. Click **Next**.



5. Enter an admin name and password to use when accessing the management interface. Confirm your password in the *Confirm* field. Click **Next**.



- Review your settings. Click **Back** to make changes or **Finish** to save your settings. Once finished you will be redirected to the management interface via your web browser.



Congratulations, your wireless network is now configured.

A login screen will appear for the UniFi Controller management interface. Enter the admin name and password that you created and click **Login**.



You can manage your wireless network and view network statistics using the UniFi Controller management interface. For information on configuring and using the UniFi Controller software, refer to the User Guide located on the CD.



## Declaration of Conformity

Česky [Czech]	UBIQUITI NETWORKS tímto prohlašuje, a tento UBIQUITI NETWORKS device, je ve shodě se základními požadavky a dalšími podmínkami ustanovenými směrnicí 1999/5/ES.
Dansk [Danish]	Undertegnede UBIQUITI NETWORKS erklærer herved, at følgende udstyr UBIQUITI NETWORKS device, overholder de væsentlige krav og øvrige relevante krav i direktiv 1999/5/EF.
Nederlands [Dutch]	Hierbij verklaart UBIQUITI NETWORKS dat het toestel UBIQUITI NETWORKS device, in overeenstemming is met de essentiële eisen en de andere relevante bepalingen van richtlijn 1999/5/EG. Bij deze verklaart UBIQUITI NETWORKS dat deze UBIQUITI NETWORKS device, voldoet aan de essentiële eisen en aan de overige relevante bepalingen van Richtlijn 1999/5/EC.
English	Hereby, UBIQUITI NETWORKS, declares that this UBIQUITI NETWORKS device, is in compliance with the essential requirements and other relevant provisions of Directive 1999/5/EC.
Eesti [Estonian]	Käesolevaga kinnitab UBIQUITI NETWORKS seadme UBIQUITI NETWORKS device, vastavust direktiivi 1999/5/EÜ põhinõuetele ja nimetatud direktiivist tulenevatele teistele asjakohastele sätetele.
Suomi [Finnish]	UBIQUITI NETWORKS vakuuttaa täten että UBIQUITI NETWORKS device, tyypinen laite on direktiivin 1999/5/EY oleellisten vaatimusten ja sitä koskevien direktiivin muiden ehtojen mukainen.
Français [French]	Par la présente UBIQUITI NETWORKS déclare que l'appareil UBIQUITI NETWORKS device est conforme aux exigences essentielles et aux autres dispositions pertinentes de la directive 1999/5/CE. Par la présente, UBIQUITI NETWORKS déclare que ce UBIQUITI NETWORKS device, est conforme aux exigences essentielles et aux autres dispositions de la directive 1999/5/CE qui lui sont applicables.
Deutsch [German]	Hiermit erklärt UBIQUITI NETWORKS, dass sich diese UBIQUITI NETWORKS device, in Übereinstimmung mit den grundlegenden Anforderungen und den anderen relevanten Vorschriften der Richtlinie 1999/5/EG befindet". (BMW i) Hiermit erklärt UBIQUITI NETWORKS die Übereinstimmung des Gerätes UBIQUITI NETWORKS device, mit den grundlegenden Anforderungen und den anderen relevanten Festlegungen der Richtlinie 1999/5/EG. (Wien)
Ελληνική [Greek]	ΜΕ ΤΗΝ ΠΑΡΟΥΣΑ UBIQUITI NETWORKS ΔΗΛΩΝΕΙ ΟΤΙ UBIQUITI NETWORKS device, ΣΥΜΜΟΡΦΩΝΕΤΑΙ ΠΡΟΣ ΤΙΣ ΟΥΣΙΩΔΕΙΣ ΑΠΑΙΤΗΣΕΙΣ ΚΑΙ ΤΙΣ ΛΟΙΠΕΣ ΣΧΕΤΙΚΕΣ ΔΙΑΤΑΞΕΙΣ ΤΗΣ ΟΔΗΓΙΑΣ 1995/5/ΕΚ.

<b>Magyar</b> [Hungarian]	Alulírott, UBIQUITI NETWORKS nyilatkozom, hogy a UBIQUITI NETWORKS device, megfelel a vonatkozó alapvető követelményeknek és az 1999/5/EC irányelv egyéb előírásainak.
<b>Íslenska</b> [Icelandic]	Hér me lí sir UBIQUITI NETWORKS yfir ví a UBIQUITI NETWORKS device, er í samræmi við grunnkröfur og a rar kröfur, sem ger ar eru í tilskipun 1999/5/EC.
<b>Italiano</b> [Italian]	Con la presente UBIQUITI NETWORKS dichiara che questo UBIQUITI NETWORKS device, è conforme ai requisiti essenziali ed alle altre disposizioni pertinenti stabilite dalla direttiva 1999/5/CE.
<b>Latviski</b> [Latvian]	Ar o UBIQUITI NETWORKS deklar , ka UBIQUITI NETWORKS device, atbilst Direkt v as 1999/5/EK b tiskaj m pras b m un citiem ar to saist tajiem noteikumiem.
<b>Lietuvi</b> [Lithuanian]	UBIQUITI NETWORKS deklaruoja, kad šis UBIQUITI NETWORKS įrenginys atitinka esminius reikalavimus ir kitas 1999/5/EB Direktyvos nuostatas.
<b>Malti</b> [Maltese]	Hawnhekk, UBIQUITI NETWORKS, jiddikjara li dan UBIQUITI NETWORKS device, jikkonforma mal- ti ijjiet essenzjali u ma provvedimenti o rajn relevanti li hemm fid-Dirrettiva 1999/5/EC.
<b>Norsk</b> [Norwegian]	UBIQUITI NETWORKS erklærer herved at utstyret UBIQUITI NETWORKS device, er i samsvar med de grunnleggende krav og øvrige relevante krav i direktiv 1999/5/EF.
<b>Slovensky</b> [Slovak]	UBIQUITI NETWORKS t mto vyhlasuje, e UBIQUITI NETWORKS device, sp a základné po iadavky a v etky príslu né ustanovenia Smernice 1999/5/ES.
<b>Svenska</b> [Swedish]	Härmed intygar UBIQUITI NETWORKS att denna UBIQUITI NETWORKS device, står i överensstämmelse med de väsentliga egenskapskrav och övriga relevanta bestämmelser som framgår av direktiv 1999/5/EG.
<b>Español</b> [Spanish]	Por medio de la presente UBIQUITI NETWORKS declara que el UBIQUITI NETWORKS device, cumple con los requisitos esenciales y cualesquiera otras disposiciones aplicables o exigibles de la Directiva 1999/5/CE.
<b>Polski</b> [Polish]	Niniejszym, firma UBIQUITI NETWORKS o wiadcza, e produkt serii UBIQUITI NETWORKS device, spełnia zasadnicze wymagania i inne istotne postanowienia Dyrektywy 1999/5/EC.
<b>Português</b> [Portuguese]	UBIQUITI NETWORKS declara que este UBIQUITI NETWORKS device, está conforme com os requisitos essenciais e outras disposições da Directiva 1999/5/CE.



## Ubiquiti Networks Support

Email: **support@ubnt.com**

Phone (9 a.m. - 5 p.m. PST): **408-942-1153**

Skype: **Ubiquiti\_Support**

## Online Resources

Wiki Page: **www.ubnt.com/wiki**

Support Forum: **www.ubnt.com/forum**

Knowledge Base: **www.ubnt.com/kb**

Downloads: **www.ubnt.com/support/downloads**

